

A SURVEY ON AMPHI WASTE MANAGEMENT

Dr.Somaprabhitha

Arvind Adithya N

Surya J

Dept of Information Technology,

Dept of Information Technology,

Dept of Information Technology,

Sri Sai Ram Engineering College,
Chennai, India.

Sri Sai Ram Engineering College,
Chennai, India

Sri Sai Ram Engineering College
Chennai, India

Abstract: *In this overpopulated world, the quantity of garbage generated increases day by day. It is one of the crucial and significant issues faced by the corresponding residential people. Hence the process of waste management comes into play as it is essential to dispose the garbage in periodic manner. If the process is not carried out at stipulated time, it may cause public sanitary issues which consequently affects the health and hygiene of the society. Therefore, it is very much essential to handle the garbage disposal. Hence in order to classify them, we incorporated Deep Learning algorithm using Python which makes the system as a smart system and work with increased efficiency and to identify the slag, debris in the water bodies by using data set deep neural network to detect the object. This system describes a smart disposal system that employs ultrasonic sensor to detect the level of waste piled in the garbage bin and once it surpasses the threshold limit which we set, an alarm and intimation are issued to alert the municipal authorities. In case the municipal authorities refused to clean the waste even the people have access to complain through the web page. The bin is designed to open when user arrives to throw away the domestic waste. If any user throws the bin, it is intimated through alarm. The system is built using Deep learning algorithm for ultrasonic sensor to classify whether it is a user came near or it is the garbage thrown outside the bin. As the ultrasonic sensor which we fixed outside detects the presence of user as well as the presence of waste*

KEYWORDS : Deep Learning Algorithm, Ultra Sonic sensors, Waste Management

I - INTRODUCTON

As the population of our nation keeps on increasing, the waste generated in each and every house

cumulatively increases to a great extent. Piling of domestic waste in an area for elongated period of duration cause the spread of various type of diseases if it is not addressed. Hence with the assistance of this intelligent disposal system, waste management can be achieved in efficient and effective manner. The webpage assists the person in the municipal authority in real time monitoring and controlling of bin status. Thus, this system reduces the human efforts and helps to achieve a clean environment. For processing the information, the GSM acts as a mediator and bins overflow indicator sends an SMS when the weight reaches the threshold value. This proposes an alternative and effective approach for garbage management, with reduced cost and increased efficiency. Currently the world is moving on towards an intelligent system which enables complete automation of existing systems. The system provides much more comfortable and secure living to residents of the locality. The proposed system results in the improved coordination between the process of garbage collection and intimation process

A. Deep Learning

Machine learning, which is simply a neural network with three or more layers, is a subset of deep learning. These neural networks make an effort to mimic how the human brain functions, however they fall far short of being able to match it, enabling it to "learn" from vast volumes of data. Additional hidden layers can help to tune and refine for accuracy even if a neural network with only one layer can still make approximation predictions. Deep learning powers numerous programmes and services that enhance automation by carrying out mental and physical tasks without the need for human intervention. Deep learning is the technology that powers both established and emerging technologies, like voice-activated TV remote controls, digital assistants, and credit card fraud detection.

B. DEEP LEARNING DEPLOYMENT MODELS

You've now completed training your model after selecting the optimum algorithms for tuning and prediction time. It's time to celebrate and inform your pals about your success, right? Not really, especially if you want to manage a big training load while still deploying the model online with quick prediction responses. Deploying deep learning models as a web application can be done in a variety of ways utilising Python frameworks like Streamlit, Flask, and Django. Create a REST API for your model service using Flask RESTful to communicate with other online apps and programme your model to respond promptly to calls. (This article is helpful for creating API.)

II - Problem Statement

The main issue faced by the people in the major cities of India is the Improper Garbage System. As the population level increasing day by day, The waste also simultaneously increases. There is high probability of bigger amount of toxic. There is a need to develop a solution to control and manage them. In order to meet the demand of an overpopulated city and oceans. The deployed traditional Garbage systems are not efficient, we have proposed an Amphi Waste Management framework, Saves time as well as energy.

III – SURVEY ON WASTE MANAGEMENT ISSUES

The current issue of waste management is addressed by the creation and use of a smart bin, which helps to inform the user of the amount of trash present inside the bin. It also features an alert system that starts working when a specified level is reached. Authorities use the internet to frequently check the information they have obtained. The old system is entirely automated, and the existing algorithms are just marginally more effective. It provides information about the forecasting models. This model ranks different waste generation strategies based on influencing factors like planning period to determine how much waste is produced in our society. An app allows a local to record events, and the user can then contact the administrator immediately.

A. STUDY ON ACCESS AND COMMUNICATION SYSTEM

In [1] this paper the author has discussed about the urban waste management that is affected by the

population growth and trash volume. This model uses the domain of IoT with deep learning model to improve the inefficient and expensive waste management system. This waste management model uses SSD MobileNetV2 , garbage-detecting TensorFlow Lite and Raspberry Pi 4 to sort trash. Ultrasonic sensors check trash bin's fullness. Preventing unauthorised access during maintenance or upgrades. In [2] this paper the author proposed an intelligent and effective waste management system that functions with modern technologies like cloud-based software frameworks that appropriately process data and RFID sensor-tag with low-cost weight sensor system that meets everyone's demand of waste management. In [3] this paper the author proposes an idea that LoRa and TensorFlow smart garbage collecting works beneficially compared with others, like Tensorflow instantly recognises LoRa sensor data. Servos sort paper, plastic, and metal. TensorFlow garbage classification models. Raspberry Pi 3 Model B+ cameras freeze this object recognition model. Ultrasonic sensors detect container filling. GPS monitors bin access. LoRa shows bin location, fill level, and condition. RFID may track garbage workers. In [4] this paper the author summarized that the solid waste management by reviewing RFID, WSN, and IoT solid waste management literature and analysing each subcategory. To find the best trash can deployment technology, the author analyse communication technologies in the above domains. According to the research, LoRaWAN is the best communication protocol for urban solid waste management systems, and IoT-based solutions beat conventional design methods.

TABLE 1: STUDY ON ACCESS AND COMMUNICATION SYSTEM

SI.no	Findings	Drawbacks
1	Raspberry pie integrates RFID tag and lora smart system to control waste management.	High cost on implementation
2	RFID tag can be accessed only if it has been registered earlier.	It is not applicable for the people without RFID tag.
3	LORa smart system is been used for	It cant pass information for

	communication purpose	long distances compare to GSM
--	-----------------------	-------------------------------

B. A STUDY ON ALGORITHMS

This [5] Paper the author demonstrate how automated machine learning may improve Smart Waste Management. The work focuses on sensor-based recycling container emptying detection by binary classification. Machine learning may improve the classification accuracy and recall of the manually generated model from 86.8% and 47.9% to 99.1% and 98.2%. This method uses a Random Forest classifier to measure filling status at different moments. Finally, the best approach improves recycling container emptying time forecasts over the manual model. In [6] this paper the author study about the importance of recycling and conservation. Solidarity, reuse, recirculation, and recycling lengthen product lifecycles and provide resources for future generations. The report suggests EU-wide actions constrained. The EU must manage rising raw material costs and import dependence for energy, sustainability, and environmental protection. Romania's last decade and circular economy urban waste management were assessed. In [7] this paper the author discussed about the Overflowing trash cans that stink and threaten public health and quality of life in metropolitan areas. The Smart Garbage Management System using satellite-based global positioning systems .The proposed technology can track garbage trucks and their drivers. GPS and other communications technology for truck control systems help clients grasp accountability measures in solid waste inspection and management. In [8] this paper the author states that the dirty area and harmful waste might potentially spread disease. Garbage management is a complex topic, and this paper gives a thorough overview of the many approaches, methods, and technologies currently in use in this field. Finally, a waste management strategy that is both efficient and economical is endorsed. In [9] this paper the authors summarized the links between solid waste management to industrialization and finance. Rapid site growth complicates solid waste logistics. The provincial capital and its surrounds may grow faster than a developed nation. Colonies have laws. This may help industrialised and transitional countries. Changes occur. Diet, waste, and technology reduce Earth's ability to fulfil human needs. Earth's population and resource use are maximised. In [10] this paper the author demonstrated the smart trash-bin that is capable of managing waste in a smart city project. The system

consists of sensors that monitor the volume of garbage within the bin as well as the weight of the waste that is contained inside the bin. In addition, the system is able to adapt to the environment of the network in order to handle all of the information about waste management. In [11] this paper the author discussed about the complexity of city waste management due to their volume and variety, waste products must be treated differently. Waste management requires waste classification. Trash separation today is physically demanding. Effective and automatic waste segregation begins the suggested system. The technique will minimise garbage sorting labour. The suggested approach captures pictures of trash products to accurately identify and categorise them as biodegradable or non-biodegradable. In [12] this paper the author states that the Population, urbanisation, and economics increased municipal solid waste. Municipal solid waste management is expensive and dangerous in metropolitan areas. This paper proposes garbage carrier routes for efficient solid waste collection over a vast area. Evolutionary methods find the trash truck's objective function-optimal path. This system minimises fuel consumption and waste collection time by estimating garbage in bins, maximum distance, and time. This Technology assists Jeju Island's smart city development.

TABLE 2: SURVEY ON ALGORITHMS

SI no	Findings	Drawbacks
1	CNN algorithm classifies the images	It cannot classify the images both on land and water

IV- EXISTING SYSTEM

The design and implementation of a smart bin, which aids in informing the user of the amount of trash existing inside the bin, addresses the current problem of waste management. Additionally, it has an alert mechanism that activates when a certain predetermined level is reached. The information obtained are periodically monitored by authorities through internet .It is a complete automation of existing system and the existing algorithms are not much more efficient. It describes about the forecasting models. This models on the basis of influencing factors such as planning period, ranking methods to calculate the amount of waste generated

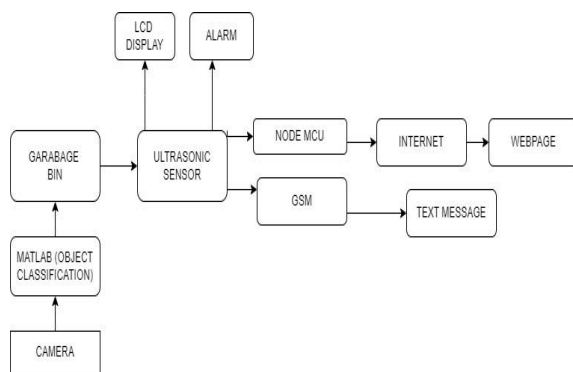
in our society. A member of a particular locality can be able to record the happenings through an app and he can directly reach the admin for bin replacement.

V - PROPOSED SYSTEM

Deals with both land and water waste management system by classifying and controls it. In LAND when we throw garbage in the bin it differentiate and classifies bio-gradable and non-bio-gradable waste. Through ultrasonic sensor mechanism it gives intimation as alarm once the bin crosses 80% and sends information to the municipal authorities through web page they send people to clear it on the other hand ocean photographer captures the garbage accumulated and classifies as bio-gradable and non-bio-gradable or toxic or non-toxic through deep learning.

VI - METHODOLOGY

FAST R CNN – regions with convolutional neural networks(R -CNN), combines rectangular region proposals with convolutional neural network features, R-CNN is a two stage detection algorithm. **Node MCU**- is a low cost open source IoT platform. It initially included firmware which runs on the ESP8266 Wi-Fi from Espressif System, and hardware which is based on the ESP-12 module. **WEB-DEVELOPMENT - HTML** – To design a web-page to upload the images of the captured 4 lanes in a signal. **CSS** – To design the web-page look much elegant using the tags as well as customized by employing various style attributes.



VII - WORKING

An ultrasonic sensor is fitted in the garbage bin to monitor the level of garbage filled in it. The information is stored periodically in webpage. Once the bin reaches **80%** of its level, an **alarm** is provided and it is indicated in the **webpage**. Once when the bin is **completely filled**, it is indicated so that the **authority** can **take action** to dispose it. Another ultrasonic sensor is fixed outside the bin. Once any **object is detected**, it enables the **camera** fixed to **capture** an image surrounding the bin. Once the camera captures the image, it is passed on to **MATLAB** for processing. The **Fast R-CNN** algorithm in MATLAB is utilized for object classification. It is trained with huge **datasets** which enables them to learn. All the information are stored and displayed in the webpage which can be monitored by the **municipal authority** Once this monitoring and intimation phenomena is accomplished, the proposed system consists of a **segregator** which is employed to classify the gathered waste. These sensors are connected to categorize the wastes into bio-degradable as well as non-bio-degradable. Moreover, non-bio-degradable wastes can be again separated as glass waste and plastic waste which enhanced the efficiency as well as the effectiveness of the designed system. Further the remaining wastes which are left over is treated as bio-degradable waste. This proposed project utilises 2 ultrasonic sensor which is of type **E4E2**. One of the ultrasonic sensors is secured at the garbage bin which **measures the capacity of the bin**. It ultimately monitors the level up to which the bin is filled and intimates the corresponding details through a **webpage**. This proposed project utilises 2 ultrasonic sensor which is Of type **E4E2**. One of the ultrasonic sensors is secured at the garbage bin which **measures the capacity of the bin**. It ultimately monitors the level up to which the bin is filled and intimates the corresponding details through a **webpage**.

VIII - CONCLUSION

It helps in proper disposal of garbage in regular interval of time and according to the necessity. The proposed system aids in contributing to the attainment of Sustainable Development Goals in every feature of its design methodology. Moreover, commercialising this product in huge scale contributes to the boon for the society. Hence an hygienic and clean society can be developed through proper implementation.

IX- REFERENCES

- [1]. N. C. A. Sallang, M. T. Islam, M. S. Islam and H. Arshad, "A CNN-Based Smart Waste Management System Using TensorFlow Lite and LoRa-GPS Shield in Internet of Things Environment," in *IEEE Access*, vol. 9, pp. 153560-153574, 2021, doi: 10.1109/ACCESS.2021.3128314.
- [2]. L. Catarinucci, R. Colella, S. I. Consalvo, L. Patrono, C. Rollo and I. Sergi, "IoT-Aware Waste Management System Based on Cloud Services and Ultra-Low-Power RFID Sensor-Tags," in *IEEE Sensors Journal*, vol. 20, no. 24, pp. 14873-14881, 15 Dec.15, 2020, doi: 10.1109/JSEN.2020.3010675.
- [3]. T. J. Sheng et al., "An Internet of Things Based Smart Waste Management System Using LoRa and Tensorflow Deep Learning Model," in *IEEE Access*, vol. 8, pp. 148793-148811, 2020, doi: 10.1109/ACCESS.2020.3016255.
- [4]. S. R. J. Ramson, S. Vishnu, A. A. Kirubaraj, T. Anagnostopoulos and A. M. Abu-Mahfouz, "A LoRaWAN IoT-Enabled Trash Bin Level Monitoring System," in *IEEE Transactions on Industrial Informatics*, vol. 18, no. 2, pp. 786-795, Feb. 2022, doi: 10.1109/TII.2021.3078556.
- [5]. D. Rutqvist, D. Kleyko and F. Blomstedt, "An Automated Machine Learning Approach for Smart Waste Management Systems," in *IEEE Transactions on Industrial Informatics*, vol. 16, no. 1, pp. 384-392, Jan. 2020, doi: 10.1109/TII.2019.2915572.
- [6]. M. I. Aceleanu, A. C. Șerban, M. -C. Suciu and T. I. Bițoiu, "The Management of Municipal Waste through Circular Economy in the Context of Smart Cities Development," in *IEEE Access*, vol. 7, pp. 133602-133614, 2019, doi: 10.1109/ACCESS.2019.2928999.
- [7]. Sanjiban Chakraborty, Aniket Mehta, Shaheen Sheikh, Ashmita Kumari Jha, Dr. CR Manjunath "Smart Waste Management System", *Research gate, JETIR May 2021, Volume 8, Issue 5, (ISSN-2349-5162)*
- [8]. Keerthana S; Kiruthika B; Lokeshvaran R; Midhunchakkaravarthi B and Dhivyasri G, "A Review on Smart Waste Collection and Disposal System", ID: (2021) 012029, doi:10.1088/1742-6596/1969/1/012029, *Research gate*
- [9] Shweta Choudhary "A Research Paper on Solid Waste Management", *Researchgate, JETIR March 2019, Volume 6, Issue 3 (ISSN-2349-5162)*
- [10]. A. S. Wijaya, Z. Zainuddin and M. Niswar, "Design a smart waste bin for smart waste management," *2017 5th International Conference on Instrumentation, Control, and Automation (ICA)*, 2017, pp. 62-66, doi: 10.1109/ICA.2017.8068414.
- [11]. S. B, K. Parkavi, S. A, R. Kokiladevi, M. Dharani and K. R, "CNN Based Smart Bin for Waste Management," *2022 4th International Conference on Smart Systems and Inventive Technology (ICSSIT)*, 2022, pp. 1405-1409, doi: 10.1109/ICSSIT53264.2022.9716437.
- [12]. S. Ahmad, Imran, F. Jamil, N. Iqbal and D. Kim, "Optimal Route Recommendation for Waste Carrier Vehicles for Efficient Waste Collection: A Step Forward Towards Sustainable Cities," in *IEEE Access*, vol. 8, pp. 77875-77887, 2020, doi: 10.1109/ACCESS.2020.2988173.