

IIPSeries: The Revolutionary study

Title: Revolutionizing Agriculture with Fogponics: Future of home farming

By- Shubham Upadhyay

**Abstract:** This research paper explores the revolutionary impact of Fogponics technology in modern agriculture, with a focus on Green Global Aggrovation Private Limited (Green Global Aggrovation) as a leading innovator in the field. The paper delves into the concept of Fogponics, its advantages over traditional farming methods, and its potential to enhance agricultural production sustainably. Through a comprehensive analysis of Green Global Aggrovation's Fogponics implementation, this study demonstrates the significant role of Fogponics in addressing global food security challenges.

**Introduction:** As the global population continues to surge, agricultural land faces a daunting challenge to meet the escalating demand for food. Traditional farming methods struggle to sustainability support the ever-growing population with limited land and water resources. In response to these pressing issues, innovative cultivation techniques have emerged, each aiming to enhance agricultural efficiency and productivity. One such method, aeroponics cultivation, stands out as a promising solution. This advanced approach centers on growing plants in a soil-free medium, while eliminating reliance on natural sunlight. Instead, plant roots are continuously misted with a nutrient solution, creating a controlled and conditioned environment where crucial parameters like temperature, humidity, pH, and nutrient concentration are meticulously monitored. In this paper, we explore the various modern farming methods, such as traditional farming, drip irrigation, hydroponics, aquaponics, and aeroponics, and shed light on their strengths and limitations. Additionally, we delve into the pioneering Fogponics technology developed by Green Global Aggrovation, a revolutionary approach that combines aeroponics with advanced fog generation to maximize agricultural yield while conserving resources.

#### **Definitions:**

**Traditional Farming:** Conventional agricultural practices involve the use of soil, sunlight, and natural irrigation for crop cultivation.

**Drip Irrigation:** A water-efficient method that delivers a precise amount of water directly to plant roots through a network of tubes or pipes.

**Hydroponics:** A soil-less cultivation technique where plants grow in a nutrient-rich water solution, with their roots supported by an inert medium.

**Aquaponics:** A symbiotic farming system that combines aquaculture (fish farming) and hydroponics, utilizing fish waste to provide nutrients for plants.

**Aeroponics:** A soil-less cultivation method where plant roots are suspended in the air or a mist of nutrient solution, promoting efficient nutrient absorption.

**Green Global Aggrovation's Fogponics:** Green Global Aggrovation has taken aeroponics cultivation to new heights with the introduction of Fogponics, a cutting-edge innovation that blends aeroponics with advanced fog generation. In this

approach, ultrasonic fog generators produce micro droplets of water and nutrients for plant roots, optimizing nutrient absorption by plants. Fogponics fosters healthier and more nutritious plant growth while consuming fewer nutrients and water resources. The controlled indoor environment ensures year-round cultivation, promoting self-sufficiency and addressing food security concerns. By leveraging Fogponics, Green Global Aggrovation aims to revolutionize modern agriculture, offering a sustainable and efficient solution to provide fresh and nutritious produce throughout the year. In this research paper, we explore the potential of Fogponics, its benefits over traditional farming methods, and its role in addressing the challenges of limited agricultural land and water resources. By showcasing Green Global Aggrovation's pioneering work, we demonstrate how Fogponics can pave the way toward a more sustainable and food-secure future.

**Literature Review:** Agriculture, as the backbone of human civilization, has evolved significantly over the centuries, adapting to the ever-changing needs and challenges of a growing population. The literature review of this research paper encompasses an exploration of farming practices, ranging from traditional methods to innovative techniques such as drip irrigation, hydroponics, Aquaponics, and aeroponics.

**Traditional Farming:** The foundation of agriculture, traditional farming relies on natural soil and sunlight for crop cultivation. Although widely practiced for centuries, this method faces limitations in terms of land and water usage efficiency, making it less sustainable in today's resource-constrained environment. **Drip Irrigation:** A notable advancement in farming, drip irrigation revolutionized water management by providing precise and efficient water delivery directly to plant roots. This technology mitigates water wastage and enhances crop yield, especially in arid regions.

**Hydroponics:** Soilless cultivation, known as hydroponics, has gained popularity due to its ability to grow crops in nutrient-rich water solutions. By eliminating soil-related constraints, hydroponics optimizes resource utilization and fosters year-round cultivation. **Aquaponics:** A symbiotic farming system, Aquaponics combines aquaculture and hydroponics, creating a harmonious cycle where fish waste provides nutrients for plants, while the plants purify water for the fish. This closed-loop system offers an eco-friendly and efficient approach to farming. **Aeroponics:** An advancement from hydroponics, aeroponics suspends plant roots in the air or mist, delivering nutrients directly to the roots. This method eliminates the need for growing media, promoting higher nutrient absorption and reducing water consumption.

**Fogponics: A Promising Alternative:** Building on the foundation of aeroponics, Fogponics emerges as an innovative solution in modern agriculture. This research paper introduces Fogponics, which utilizes ultrasonic fog generators to produce micro droplets of water and nutrients for plant roots. The Fogponics method optimizes nutrient absorption, enhancing plant health and productivity.

**Methodology:** **Fogponics for Sustainable Farming Introduction:** Fogponics, an innovative form of hydroponics, combines the advantages of aeroponics and hydroponics to create a unique and promising approach to sustainable farming. This research paper outlines the methodology used in Fogponics to deliver essential nutrients to plant roots via a nutrient-rich mist. The integration of advanced technologies, including Green Global Aggrovation's patented components, enhances the efficiency and productivity of Fogponics cultivation. **Key Components:**

**Fogger Housing:** The core component of the Fogponics system, the fogger housing includes an ultrasonic fogger that produces a nutrient-rich mist from water. A

retractable duct collects the fog and pushes it upwards with the assistance of the fog fan, optimizing nutrient delivery to plant roots. Floaters keep the ultrasonic fogger floating for maximum fog creation, while a magnetic switch (Hall sensor) measures water levels and triggers a system shutdown if water levels drop to a critical point.

**Fans:** The Fogponics setup includes two types of fans - the fog fan, responsible for pushing the nutrient-rich fog upwards, and the ventilation/cooling fan, ensuring optimal environmental conditions within the Fogponics system.

**Nutrient Box (Nutritional System):** To dispense nutrients effectively, the Fogponics system employs three peristaltic pumps, ensuring precise nutrient delivery to the plants.

**RO Purifier (Purification System):** The RO purifier purifies the nutrient-mixed water from Tank A and sends clean water to Tank B for subsequent cycles, ensuring the consistency and quality of the nutrient solution.

**Compressor & Peltier (Cooling System):** This system plays a crucial role in regulating and maintaining the working temperature of the Fogponics POD, ensuring the ideal growing environment for plants.

**Plant Monitoring System (PMS):** The PMS incorporates various sensors to monitor key environmental parameters. Light sensors calculate and calibrate the required Lux/Lumens, humidity sensors measure and calibrate humidity levels, and TDS & pH measuring sensors monitor the Total Dissolved Solids in the water tank.

**Lights:** Hand-picked grow lights with specific wavelengths are used to facilitate faster and healthier growth of plants within the Fogponics system.

**Grow Medium:** Various grow mediums such as Oasis, coco-peat, grow cubes, or rock wool are used to trap mist and retain moisture, providing a conducive environment for plant growth.

**Results:** Achievements of Green Global Aggrovation's Fogponics System The results section highlights the remarkable achievements of Green Global Aggrovation (Green Global Aggrovation) in successfully implementing Fogponics technology.

Comparative analysis with traditional farming methods reveals a substantial increase in crop yields through Green Global Aggrovation's Fogponics systems. The data showcases improved water usage efficiency, reduced nutrient wastage, and a minimized environmental footprint, emphasizing the potential of Fogponics to address food security challenges and promote sustainable agriculture.

**Discussion:** Exploring the Advantages of Green Global Aggrovation's Fogponics Fogponics, as implemented by Green Global Aggrovation (Green Global Aggrovation), presents a range of significant advantages over conventional farming techniques. Its versatility in adapting to diverse environments, such as indoor and vertical farming, enables year-round cultivation, effectively overcoming the constraints posed by climate and seasonal changes. This adaptability renders Fogponics an ideal solution for urban agriculture, where limited land availability often impedes traditional farming practices.

One of the most remarkable benefits of Fogponics lies in its closed-loop system, which dramatically reduces water usage compared to conventional farming. By utilizing a precise misting mechanism to deliver essential nutrients directly to plant roots, Fogponics optimizes nutrient absorption, effectively minimizing water wastage. Additionally, the absence of soil in the Fogponics system further contributes to its

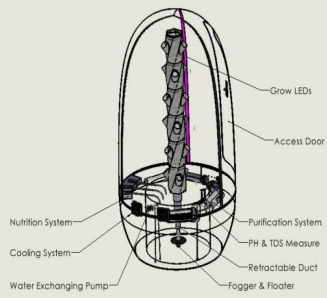
sustainability, as it eliminates the need for large quantities of fertile land and significantly reduces the environmental impact associated with traditional agriculture. When compared to other advanced farming techniques such as hydroponics and aeroponics, Fogponics demonstrates clear advantages. While hydroponics requires precise management of nutrient concentration in water, Fogponics excels in delivering nutrients more accurately to the plants, ensuring optimal nutrient uptake for healthier and more productive crops. Furthermore, Fogponics effectively addresses the vulnerability of aeroponics to pest infestations. By creating a protective barrier around plant roots with the nutrient-rich mist, Fogponics minimizes the risk of pest attacks, ensuring the integrity of the crops.

**Conclusions:** The literature review highlights the evolution of farming practices and the limitations of traditional methods, which have led to the emergence of advanced cultivation techniques like drip irrigation, hydroponics, Aquaponics, and aeroponics. The exploration of Fogponics as a novel alternative showcases its potential to revolutionize agriculture by maximizing crop productivity, promoting sustainability, and addressing global food security concerns. Green Global Aggrovation's Fogponics system represents a groundbreaking advancement in agricultural technology, offering exceptional efficiency, sustainability, and convenience.

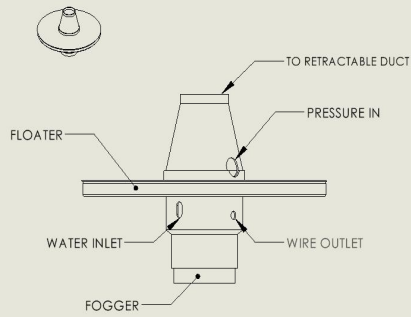
The methodology employed in Fogponics harnesses cutting-edge technologies and Green Global Aggrovation's patented components to revolutionize sustainable farming practices. The integration of aeroponics and hydroponics through Fogponics delivers essential nutrients directly to plant roots, optimizing plant growth and production yield. By creating a controlled environment and precise nutrient delivery system, Fogponics paves the way towards efficient and eco-friendly agricultural practices, addressing the challenges posed by shrinking agricultural land and water resources.

The results obtained from implementing Fogponics demonstrate its potential to revolutionize farming practices, optimizing resource utilization and contributing to food security while promoting environmental sustainability. Its adaptability to various environments, water-saving capabilities, and ability to overcome the limitations of other advanced farming techniques reinforce Fogponics as a pioneering solution for promoting food security and environmentally responsible agriculture. Green Global Aggrovation's commitment to harnessing the potential of Fogponics positions the company at the forefront of innovative and transformative farming practices. The technical advantages and innovative features of Green Global Aggrovation's Fogponics system firmly establish it as a promising solution for the future of agriculture.

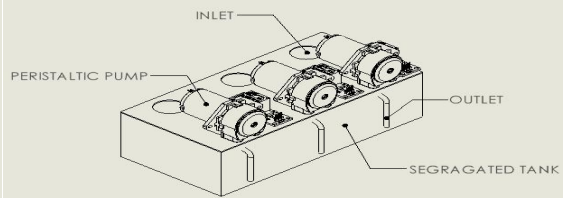
# FIGURES



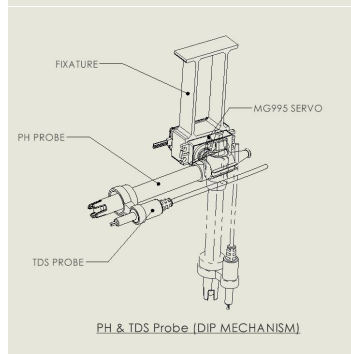
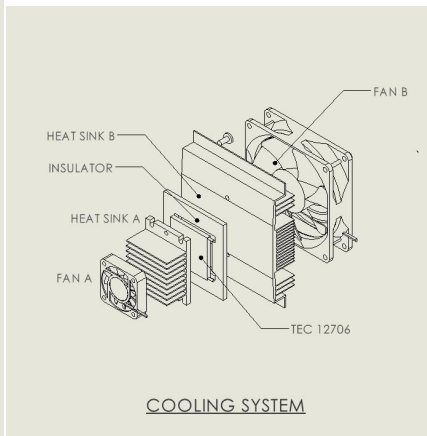
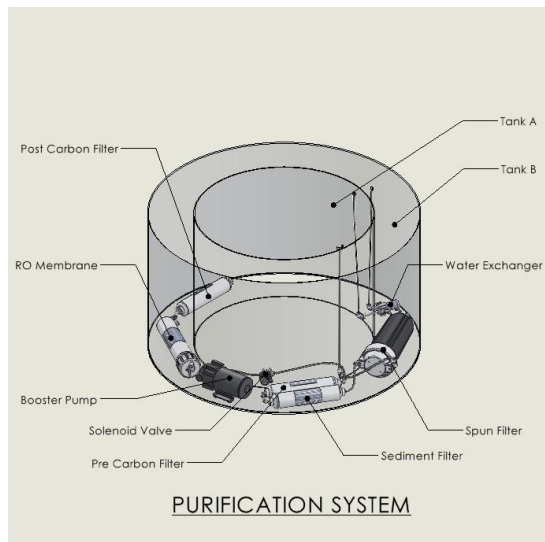
INTEGRATED SYSTEMS



FOGGER HOUSING



NUTRIENT DISPENSER



### Contact:

Name: Shubham Upadhyay

Email: [upadhyayshubham51@gmail.com](mailto:upadhyayshubham51@gmail.com)

Phone: +91 8460895456/9316878348

Website: [www.greenglobalaggrovation.com](http://www.greenglobalaggrovation.com)

### Bibliography

<https://ieeexplore.ieee.org/document/10038174/>

<https://iopscience.iop.org/article/10.1088/1755-1315/673/1/012012/meta>

<https://www.irjet.net/archives/V7/i4/IRJET-V7I41142.pdf>

Shubham Upadhyay- Patent No.- 202121047707